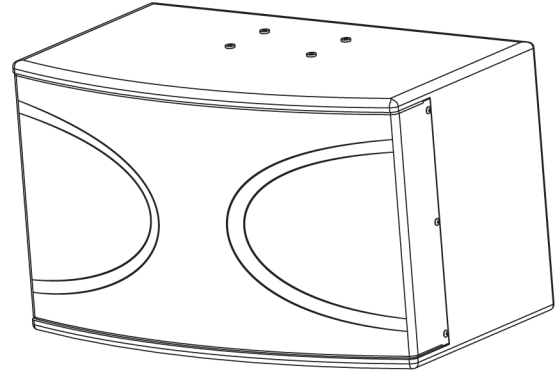


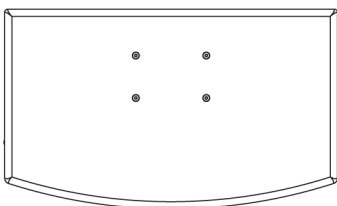
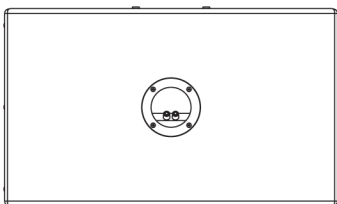
LineMach's Time Correction Phase 2 High Definition Reference Monitor is specially designed to produce an extremely even, smooth, and musical tone that stays true to the source.

Smooth dispersion, flat response and transparency are among the benefits of The Advance Dual Concentric Design.



Applications

- Home Entertainment
- Home Theater
- Reference Monitor
- Listening Room
- Karaoke



Specifications*

MODEL Phase 2 HD

System Component	12" Coaxial Speaker 1.5" Neodymium Compression Driver
Frequency Response	25 Hz - 21 kHz
Impedance	8 Ohm
Power Rating	300 W RMS / 600 W Program
Dispersion	90 Conical° @ 6 dB
Sensitivity 1W/1M	104 dB
Max SPL	123 dB
Crossover Frequency	2.0 kHz
Connection	Binding posts; Accepts banana plugs
Flying Points	4 X M8
Dimensions	23.7" X 14.1" X 14.0"
Weight	35.2 lb
Passive/Active	Passive

*all specifications are subject to change without notice

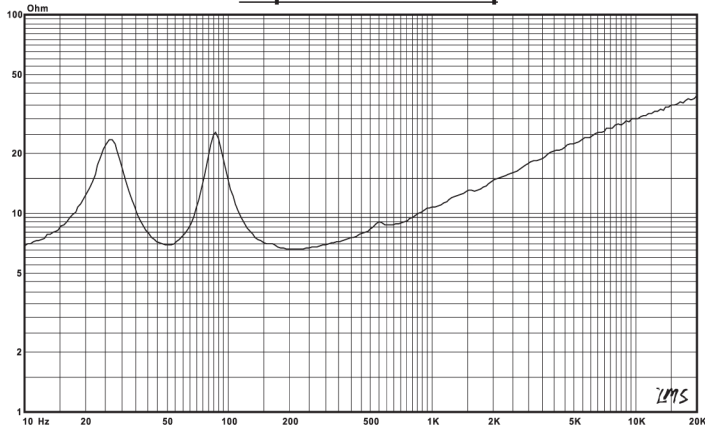
Features

- Highly accurate imaging
- Superior smooth tone
- Detailed deep bass
- High gloss black piano finish
- Ready for wall mount / ceiling mount
- Neodymium compression driver
- Binding post ready for heave gauge wire

Note: Please consult with a structural engineer when hanging this equipment above any object.

Impedance Curve

Impedance vs Freq



Visit our web site at
www.LINEMACH.com
for Data Sheets, Application Notes
and New Product Announcements